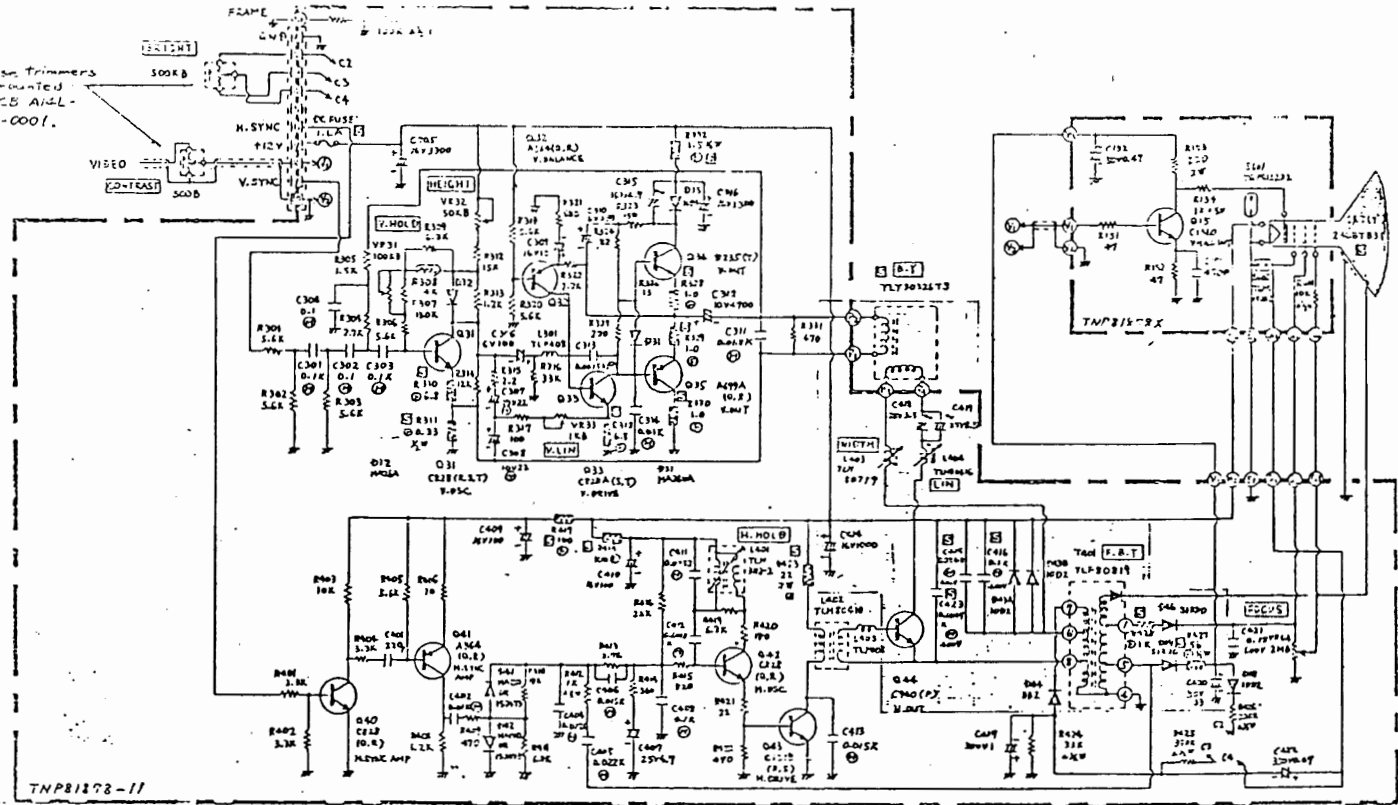


A61L-0001-0072

TR-90K

These trimmers are mounted on PCB A14L-0065-0001.



376
~~377~~
 378
 379
 380

					CRT UNIT				
					A61C-0001-0072				
Q	A	B	C	D	E	F	G	H	I
1	2	3	4	5	6	7	8	9	10